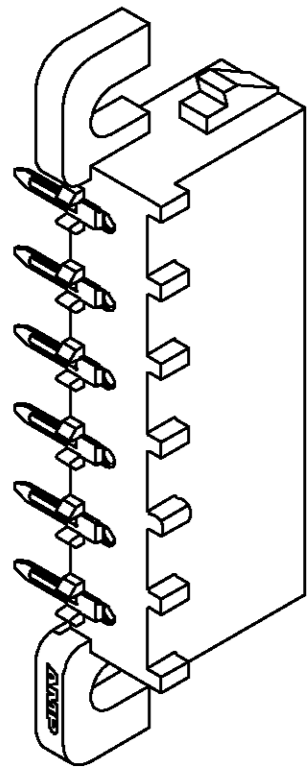
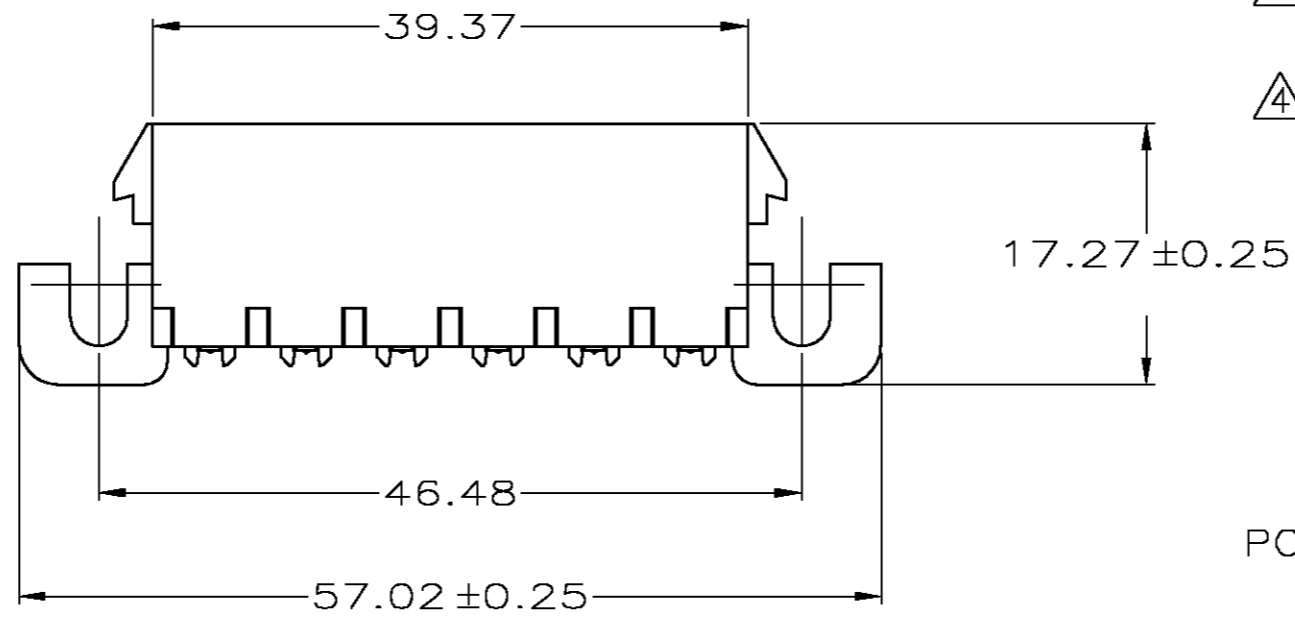
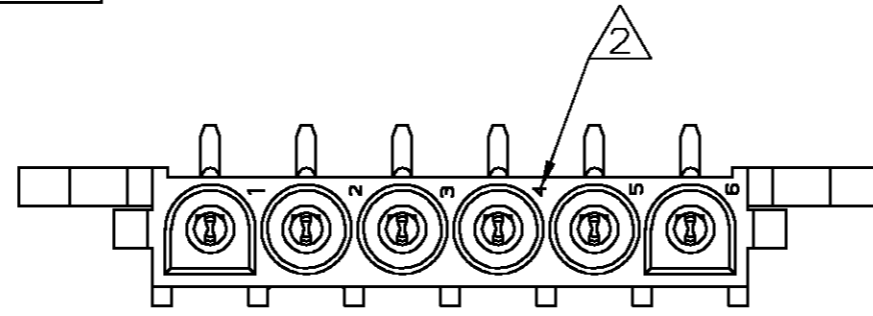


THIS DRAWING IS UNPUBLISHED. RELEASED FOR PUBLICATION  
 © COPYRIGHT BY TYCO ELECTRONICS CORPORATION. ALL RIGHTS RESERVED.

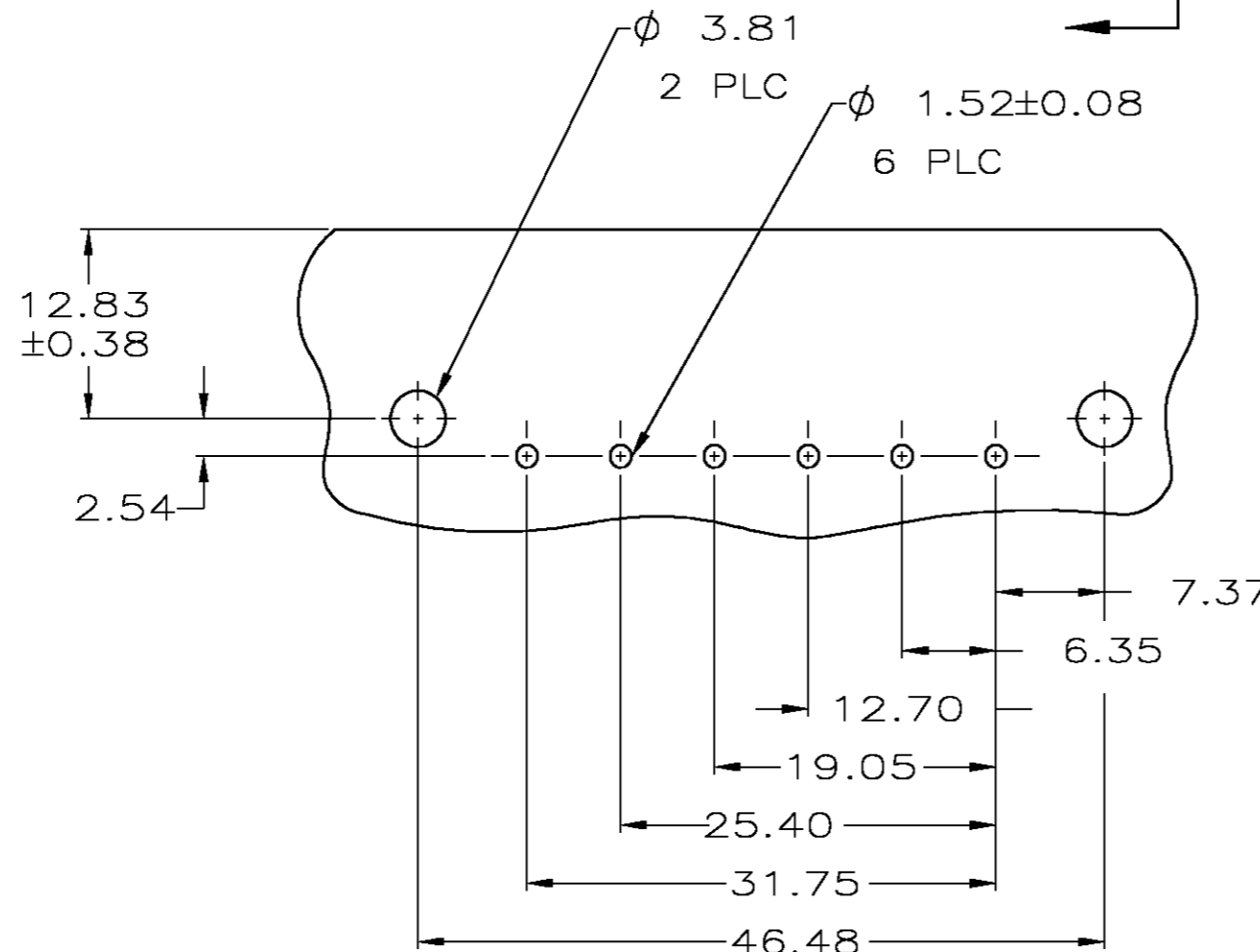
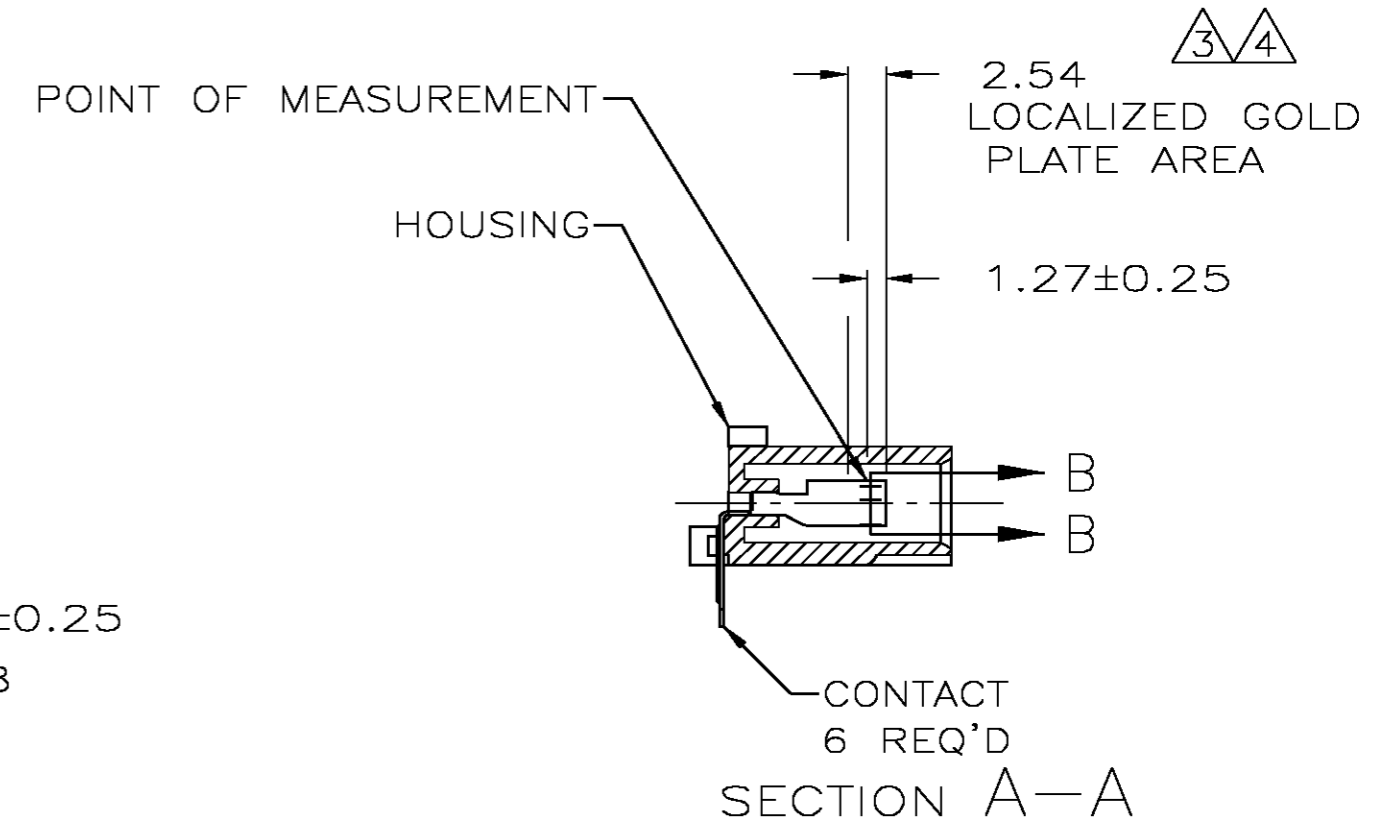
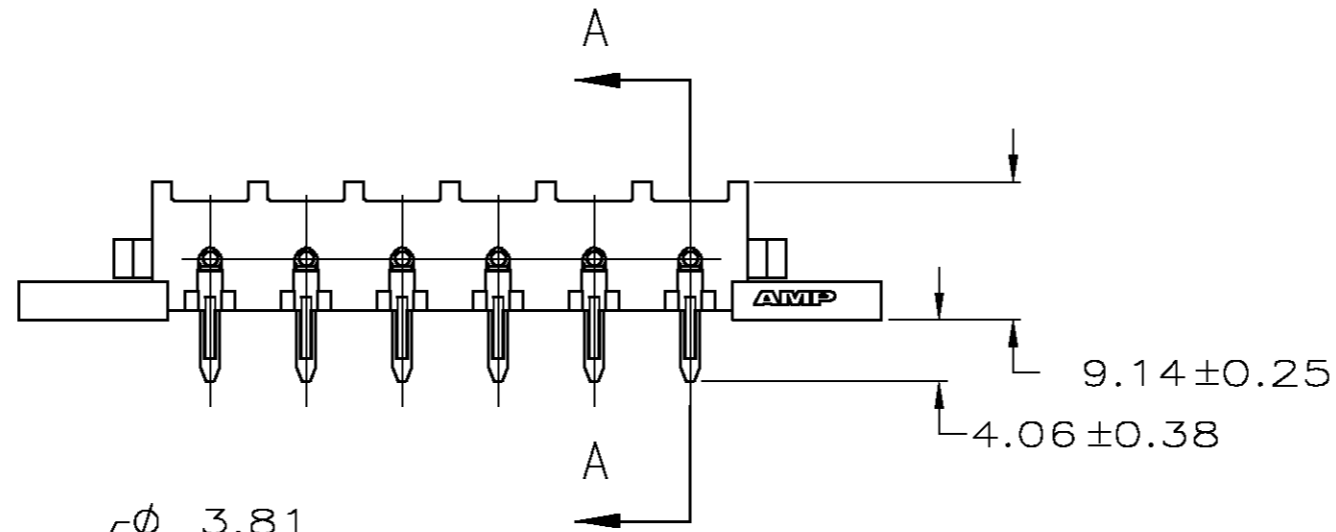
| LOC | DIST | REVISIONS   |                             |         |       |
|-----|------|-------------|-----------------------------|---------|-------|
| P   | LTR  | DESCRIPTION | DATE                        | DWN     | APVD  |
| CM  | 00   | D           | REVISED PER EC OG3B-1094-04 | 21APR05 | KW SR |



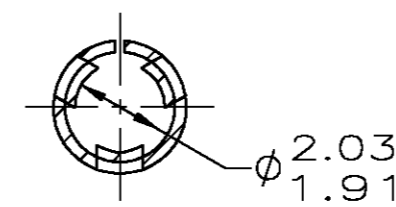
3-DIMENSIONAL MODEL NTS



- PARTS COMPLY WITH AMP SOLDERABILITY SPECIFICATION 109-11-5.
- CIRCUIT IDENTIFICATION CHARACTERS ARE ADJACENT TO THE INDICATED CAVITIES, BUT LOCATION AND ORIENTATION MAY DIFFER FROM PRINT.
- 0.00076 GOLD OVER 0.00127 MIN NICKEL WITH MATTE TIN LEAD ON SOLDER TAIL.
- 0.00076 GOLD OVER 0.00127 MIN NICKEL WITH MATTE TIN ON SOLDER TAIL.



RECOMMENDED MOUNTING HOLE PATTERN FOR 1.57 THICK P.C. BOARD



SECTION B-B SCALE 6:1

|         |         |       |       |
|---------|---------|-------|-------|
| 3.81    | .150    | 57.02 | 2.245 |
| 2.54    | .100    | 46.48 | 1.830 |
| 2.03    | .080    | 39.37 | 1.550 |
| 1.91    | .075    | 31.75 | 1.250 |
| 1.57    | .062    | 25.40 | 1.000 |
| 1.52    | .060    | 19.05 | .750  |
| 1.27    | .050    | 17.27 | .680  |
| 0.38    | .015    | 12.83 | .505  |
| 0.25    | .010    | 12.70 | .500  |
| 0.13    | .005    | 9.14  | .360  |
| 0.08    | .003    | 7.37  | .290  |
| 0.00127 | .000050 | 6.35  | .250  |
| 0.00076 | .000030 | 4.06  | .160  |
| MM      | IN      | MM    | IN    |

CONVERSION TABLE

**METRIC**

|               |                |            |
|---------------|----------------|------------|
| PH BRZ GOLD 4 | NYLON, UL94V-0 | 3-643234-0 |
| PH BRZ GOLD 3 | NYLON, UL94V-0 | 643234-2   |
| PH BRZ TIN    | NYLON, UL94V-0 | 643234-1   |
| CONTACT       | HOUSING        | PART NO    |

|  |  |                                 |   |                        |
|--|--|---------------------------------|---|------------------------|
| THIS DRAWING IS A CONTROLLED DOCUMENT. |  | DWN<br>K. WHITAKER<br>21APR2005 | Tyco Electronics Corporation<br>Harrisburg, Pa 17105-3608                             |                        |
| DIMENSIONS:<br>mm                      | TOLERANCES UNLESS OTHERWISE SPECIFIED: | CHK<br>S. RIDGILL<br>21APR2005  | NAME<br>S. RIDGILL<br>21APR2005   |                        |
| MATERIAL<br>SEE TABLE                  | FINISH<br>SEE TABLE                    | APVD<br>S. RIDGILL<br>21APR2005 | PRODUCT SPEC  |                        |
|  |  | APPLICATION SPEC                | SOCKET HEADER ASSEMBLY,<br>RIGHT ANGLE MOUNT, 6 POSITION,<br>UNIVERSAL MATE-N-LOK(TM) |                        |
| WEIGHT                                 |  | SIZE<br>A2                      | CAGE CODE<br>00779  | DRAWING NO<br>C=643234 |
| CUSTOMER DRAWING                       |  | SCALE<br>2:1                    | SHEET<br>1 OF 1   | REV<br>D               |